



Dual color laser projectors with yellow and blue or cyan laser diode inside - feature crisp projection and generating impressive white using yellow and blue. First choice for white light projections!

Offering two types of BLIZZARDS:

- Combination of yellow Genesis TAIPAN OPSL laser source with blue diode module made by LaserAnimation
- Exclusively based on TAIPAN OPSL laser sources combined with yellow and cyan or yellow and blue

Laser Sources	Type:	CW analog modulated
	Wavelengths:	577 nm 488 nm 460 nm 445 nm
	Beam Diameter:	< 3 mm
	Beam Divergence (full angle):	< 1 mrad
	Laser class:	4

BLIZZARD	Specified Laser Output [mW]				
	Total	Yellow (Taipan OPSL)	Cyan (Taipan OPSL)	Blue (Taipan OPSL)	Blue (Diode Module)
YB 5000	7000	3000	-	-	4000
YB 8000	9000	5000	-	-	4000
AT YC 5000	5000	3000	-	2000	-
AT YB 8000	8000	3000	5000	-	-



**MADE
IN
GERMANY**
used worldwide



Technical specifications subject to change without prior notice!

Scanner Unit	X,Y scanner CTI 6210H (Cambridge Technology) with Turbo Scan driver <ul style="list-style-type: none">• Scan system speed: 40 k ILDA 8°• Aperture: 4 mm• Projection angle: 80° maximum, 50° typical• Reaction time (2° opt. step): < 0.2 ms
Laser Safety	<ul style="list-style-type: none">• Scanfail safety circuit• Physical adjustable beam block• Key switch, interlock loop, emission LED
Standardized Connectors	<ul style="list-style-type: none">• AC Mains Connector: 3-pin IEC socket male• Projector Signal, analog: ILDA In D-sub 25, differential inputs• Remote: 7pin XLR (RS232, external key switch, interlock)• DMX In: 5pin XLR
Thermal	<ul style="list-style-type: none">• Max. ambient temperature: 60°C• Min. ambient temperature: - 10°C
Climate Components	<ul style="list-style-type: none">• Generously dimensioned heat sink as base for all temperature relevant components• Peltier elements for either heating and cooling• Temperature controlled low noise fans with high efficiency
Electrical Input	<ul style="list-style-type: none">• 100-120V AC / 200-240 VAC / 50-60 Hz• Input power: 500 W maximum
Control	<ul style="list-style-type: none">• Using "LA Toolbox" software for PC and Mac (included)
Options	<ul style="list-style-type: none">• Built-in grating module for extraordinary background effects• Built-in laser show controller Lasergraph DSP PCB• Built-in optics for low divergence (for Taipan laser sources)• Wide angle lense (fisheye) for mounting to the laser output
Compliance	CE, CDRH
Warranty	12 months after delivery

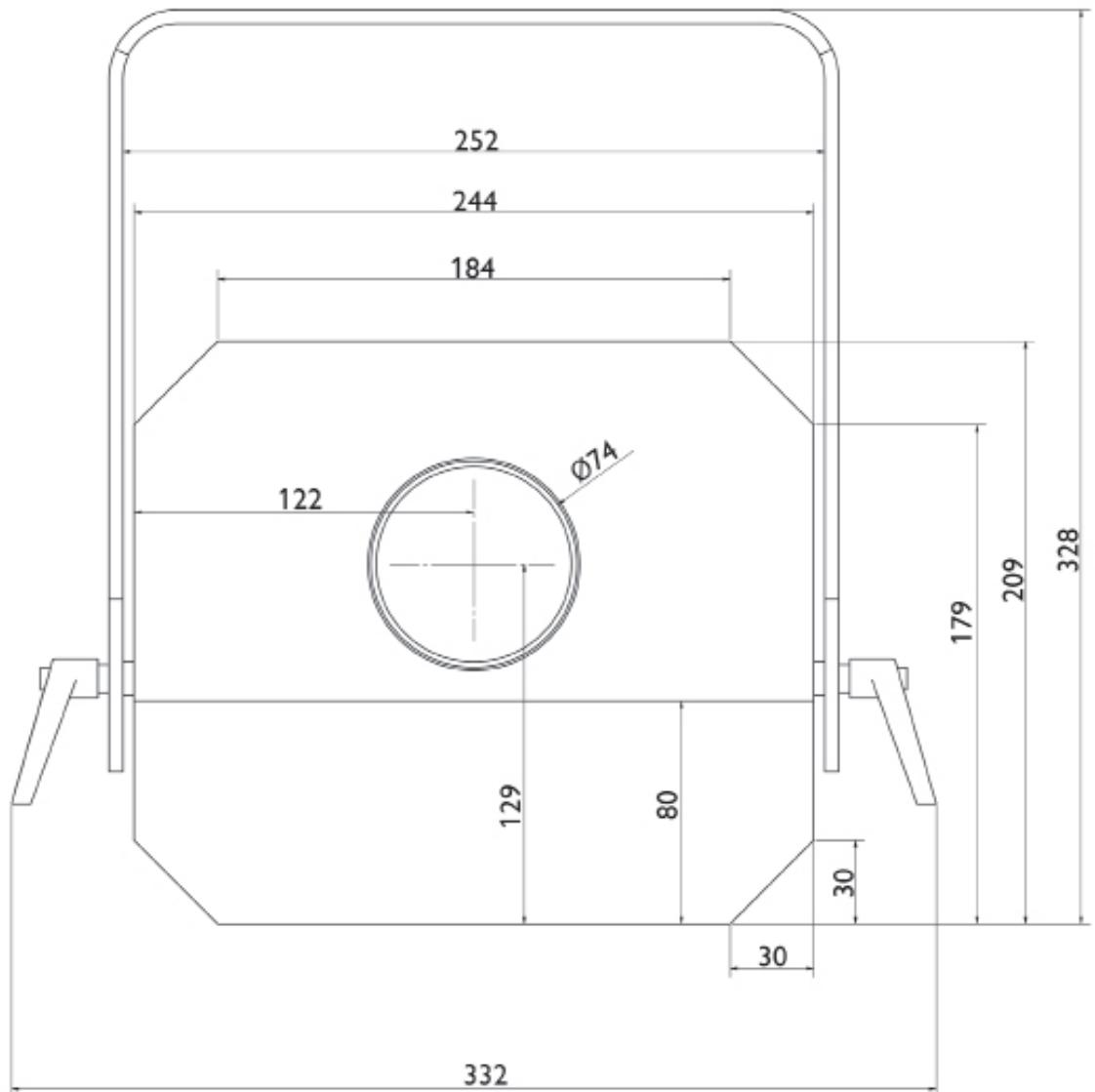


**MADE
IN
GERMANY**
used worldwide



Technical specifications subject to change without prior notice!

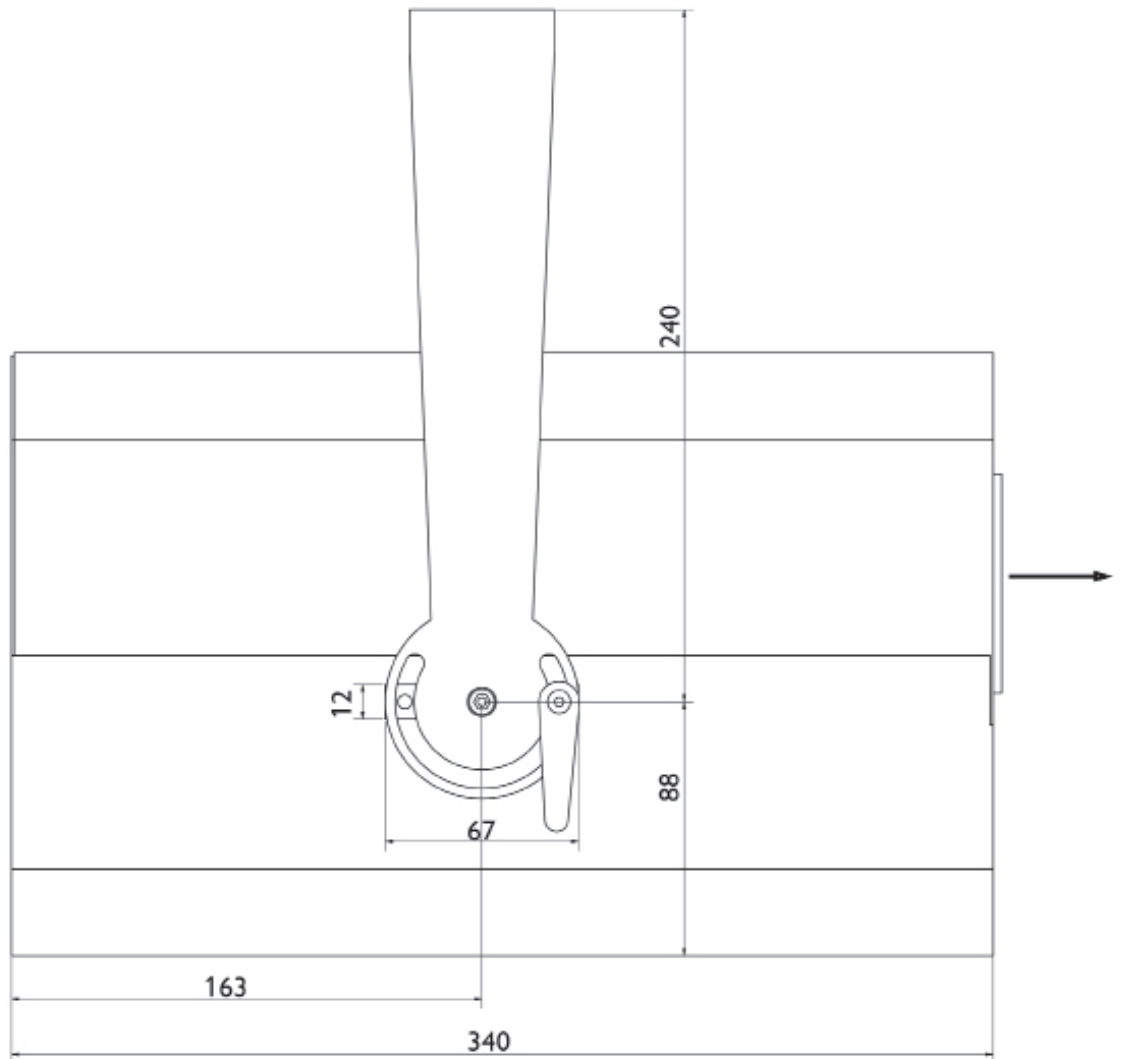
- Physical
- Length: 340 mm
 - Width: 245 mm
 - Height: 210 mm (without yoke)
 - Weight Range: Approx. 12 kg - 16 kg
 - Housing: Powder coated steel plate black, dustproof
 - Degree of protection: IP54



MADE
IN
GERMANY
used worldwide



Technical specifications subject to change without prior notice!



- Package
- Standard: Aluminum case
 - Optional: PELI case 1620
 - Optional: bwh box no. 94205



**MADE
IN
GERMANY**
used worldwide



Technical specifications subject to change without prior notice!