

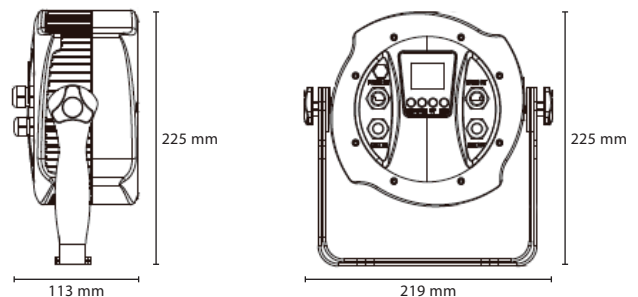


7x 15W RGBW 15° IP LED Par

The **B Par105RGBW** is a small yet very powerful IP-65 rated Par with 7x 15 W LED engine in a 15° angle. It features high saturated colours, excellent colour mix and beautiful dimming. This fixture fits into a 30V Truss. This makes the B Par105RGBW one of the most powerful compact/small fanless RGBW LED pars on the AV-market. ■

Physical

Dimensions (WxHxD)	219 x 225 x 113 mm
Packing dimensions (WxHxD)	220 x 220 x 235 mm
Dimensions outer carton (4 pcs) (WxHxD)	465 x 465 x 480 mm
Nett weight	3,3 kg
Gross weight	4,3 kg



Mounting options

Hanging	1x Omega bracket with 2x 1/4 turn quick lock fastner 1x M12 hole in the middle of the Omega bracket
Standing	Double bracket; adjustable opening angle
2nd suspension / safety wire	1x Moulded eye on the housing to pass a safety wire or carabinier

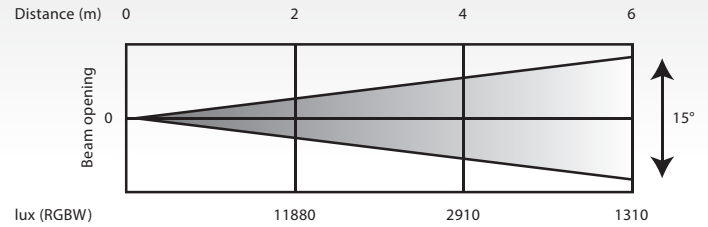
Control

Menu control via TFT display with 4 buttons	In/Link	XLR 5 pin	
Control	DMX512, manual, master/slave	DMX mode	4/6/8 channels
Dimmer mode	0 - 100% - 8bit		

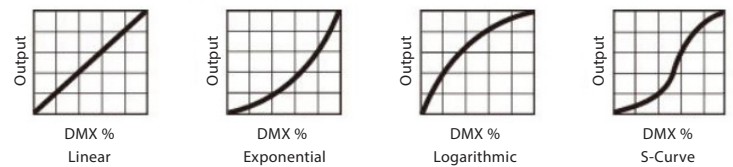
Optical

LED sources	7x 15W
Beam angle	15°
Light output RGBW	11880 lux @ 2m 2910 lux @ 4m 1310 lux @ 6m
Strobe	0 - 20Hz
Dimming curves	4
Colours	Red, Green, Blue + White 8 bit colour mix

Photometrics Diagram



Dimmer curve

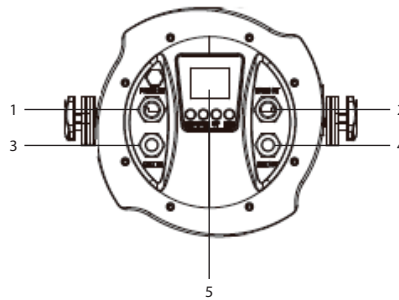


Electrical

Fixture rated power	95W	Input power	100 - 240V ~ 50/60Hz - Auto switching power supply
LED engine	7x 15W RGBW 4 in 1	In/Link	PowerCON TRUE1 - max link current 10A
Refresh rate	>400 Hz		

Connectivity

- 1 Power input
- 2 Power output
- 3 DMX input
- 4 DMX output
- 5 Colour display



Accessories

Included
1x Powercable
1x Omega bracket with 2x 1/4 turn quick-lock fasteners

Environmental

IP Rating	IP65
Cooling	Electronic heat control No fans