



Single color laser projector predominantly based on a green Genesis TAIWAN OPSSL. For applications with single-colored green laser light the BLITZ Basic laser units are still proven products which feature by their top-grade quality as well as good price-performance ratio.

Laser Source	Type:	CW analog modulated
	Typical Wavelengths	532 nm
	Beam Diameter (1/e <sup>2</sup> ) typical *:	1.8 mm (< 3 mm with LD optics)
	Beam Divergence (1/e <sup>2</sup> ) typical *:	< 1.4 mrad (< 0.7 mrad with LD optics)
	Laser class:	4
	* Specification by Coherent Inc.	

BLITZ	Specific Output Power [mW]
Basic G2 PD <sup>1)</sup>	1600
Basic G5	5000
Basic G8	8000
Basic G10	10,000
Basic dual G16	16,000
Basic dual G20	20,000

<sup>1)</sup> Pure Diode - 520 nm green diode module made by LaserAnimation



MADE  
IN  
GERMANY  
used worldwide



Technical specifications subject to change without prior notice!

Scanner Unit	<p>X,Y scanner CT 6210H (Cambridge Technology) with Turbo Scan driver (LaserAnimation Technology)</p> <ul style="list-style-type: none"><li>• Scan system speed: 40 k ILDA 8°</li><li>• Aperture: 4 mm</li><li>• Projection angle: 80° maximum, 50° typical</li><li>• Reaction time (2° opt. step): 0.2 ms</li></ul>
Laser Safety	<ul style="list-style-type: none"><li>• Scanfail safety circuit</li><li>• Physical adjustable beam block</li><li>• Key switch, interlock loop, emission LED</li></ul>
Standardized Connectors	<ul style="list-style-type: none"><li>• AC Mains Connector: 3-pin IEC socket male</li><li>• Projector Signal, analog: ILDA In D-sub 25, differential inputs</li><li>• Remote: 7pin XLR (RS232, external key switch, interlock)</li><li>• DMX In: 5pin XLR</li></ul>
Thermal	<ul style="list-style-type: none"><li>• Max. ambient temperature: 60°C</li><li>• Min. ambient temperature: - 10°C</li></ul>
Climate Components	<ul style="list-style-type: none"><li>• Generously dimensioned heat sink as base for all temperature relevant components</li><li>• Peltier elements for either heating and cooling</li><li>• Temperature controlled low noise fans with high efficiency</li></ul>
Electrical Input	<ul style="list-style-type: none"><li>• 100-120 VAC / 200-240 VAC / 50-60 Hz</li><li>• Input power range: 120 -750 W maximum</li></ul>
Control	<ul style="list-style-type: none"><li>• Using "LA Toolbox" software (included) for installation on PC or Mac</li></ul>
Built-In Options	<ul style="list-style-type: none"><li>• Grating module for extraordinary background effects</li><li>• Laser show controller Lasergraph DSP PCB</li><li>• LD optics for low divergence</li><li>• Wide angle lense (fisheye) for mounting to the laser output</li></ul>
Compliance	CE, CDRH
Warranty	12 months after delivery

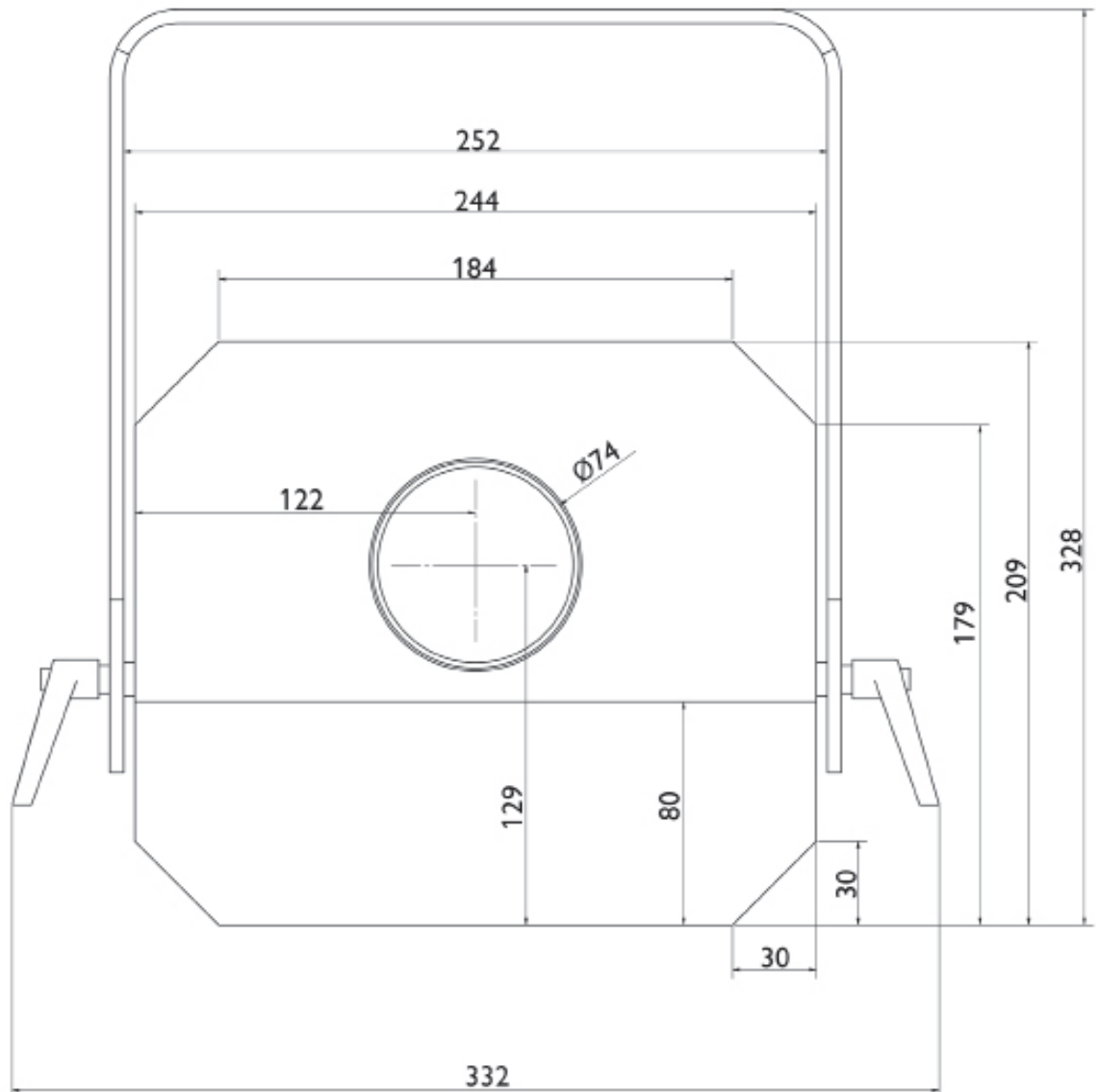


**MADE  
IN  
GERMANY**  
used worldwide



Technical specifications subject to change without prior notice!

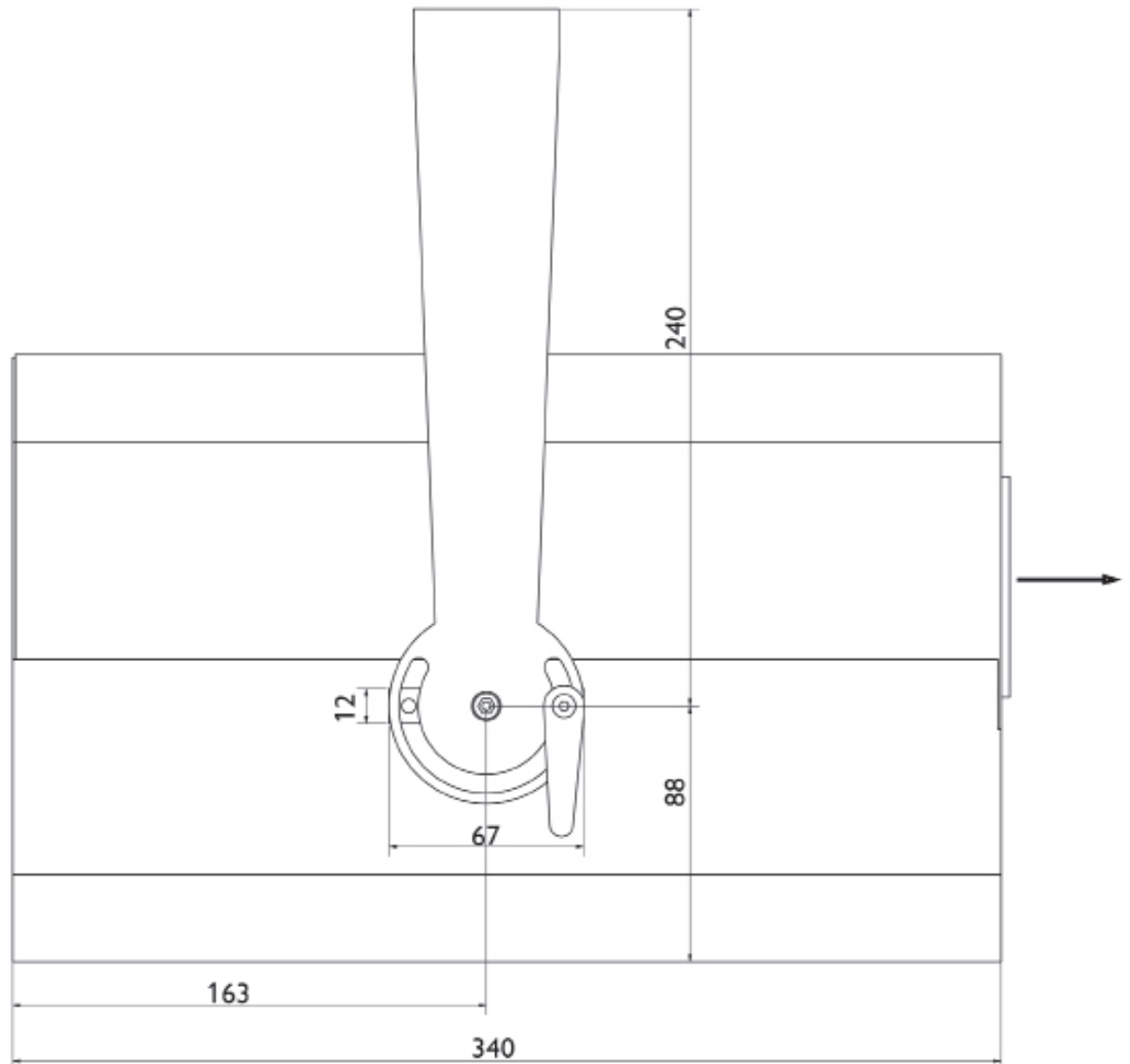
- Physical
- Length: 340 mm
  - Width: 245 mm
  - Height: 210 mm (without yoke)
  - Weight Range: Approx. 11 kg - 18 kg
  - Housing: Powder coated steel plate black, dustproof
  - Degree of protection: IP54



MADE  
IN  
GERMANY  
used worldwide



Technical specifications subject to change without prior notice!



- Package • Standard: Aluminum case
- Optional: PELI case 1620
  - Optional: bwh box no. 94205



MADE  
IN  
GERMANY  
used worldwide



Technical specifications subject to change without prior notice!