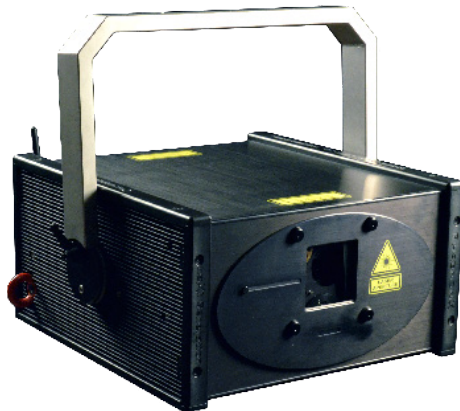


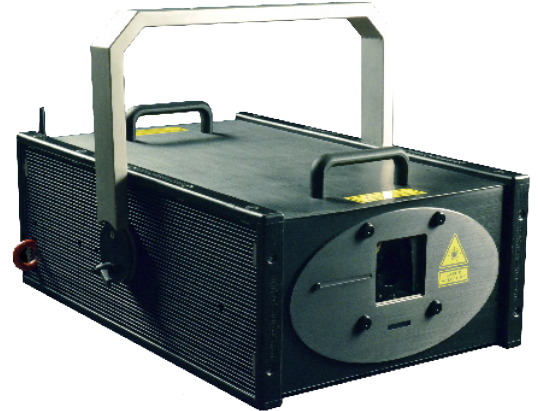
High-end Full Color Laser Projectors for Professional Applications



PHAENON X Mini



PHAENON X Pro compact



PHAENON X Pro regular

**Laser System** Modular laser system based on unique red and blue laser diode modules manufactured by LaserAnimation in combination with green and additionally yellow or orange and cyan Genesis TAIPAN OPSL by Coherent Inc.

Typical wavelengths: 638 nm | 577 nm / 590 nm | 532 nm | 445 nm | 445 nm  
 Type: CW analog modulated  
 Beam Diameter: 3 mm  
 Divergence (full angle): < 1 mrad  
 Laser class: 4

Models

PHAENON X	Enclosure	Specified Output [mW]					
		Total	Red Module	Yellow / Orange Taipan OPSL	Green Taipan OPSL	Cyan Taipan OPSL	Blue Module
Mini 5500	Mini	12,200	3200 <sup>1)</sup>	-	5000	-	4000 <sup>5)</sup>
Mini 7000	Mini	15,800	4800 <sup>2)</sup>	-	5000	-	6000 <sup>6)</sup>
Pro 11500	compact	22,400	6400 <sup>3)</sup>	-	8000	-	8000 <sup>7)</sup>
Pro 24000	compact	25,600	9600 <sup>4)</sup>	-	8000	-	8000
Pro 15500 O	compact	25,400	6400	3000	8000	-	8000
Pro 15500 Y	compact	27,400	6400	5000	8000	-	8000
Pro 30000	compact	31,600	9600	6000	8000	-	8000
Pro 35000	regular	36,600	9600	6000	8000	5000	8000

<sup>1)</sup> Array with 16 red laser diodes a 200 mW  
<sup>2)</sup> Array with 24 red laser diodes a 200 mW  
<sup>3)</sup> Array with 32 red laser diodes a 200 mW  
<sup>4)</sup> Array with 48 red laser diodes a 200 mW

<sup>5)</sup> Array with 2 blue laser diodes a 2000 mW  
<sup>6)</sup> Array with 3 blue laser diodes a 2000 mW  
<sup>7)</sup> Array with 4 blue laser diodes a 2000 mW



**MADE IN GERMANY**  
 used worldwide



Technical specifications subject to change without prior notice!

Laser Safety	<ul style="list-style-type: none"> <li>• Electronic mask to define protected areas in a laser projection using controlling software</li> <li>• Scanfail safety circuit</li> <li>• Physical adjustable beam blocker</li> <li>• Key switch, interlock loop, emission LED</li> </ul>
High-end Components	<ul style="list-style-type: none"> <li>• CT 6210H X,Y scanners with LaserAnimation's high-speed TurboScan drivers Scan system speed: 40 k ILDA 8° Aperture: 4 mm Projection angle: 80° maximum, 50° typical Reaction time (2° opt. step): &lt; 0.2 ms</li> <li>• Motorized beam adjustment for comfortable adjusting the superposition of the colored beams</li> <li>• WLAN module</li> <li>• Grating module for extraordinary background effects (optional)</li> <li>• Laser show controller Lasergraph DSP PCB (optional)</li> </ul>
Control	<ul style="list-style-type: none"> <li>• Wireless remote control by iPod touch (included) or an existing iPhone or iPad</li> <li>• LA Toolbox software for Windows as well as MAC OS X 10.6 or later</li> <li>• Using terminal consisting of display and jog dial on backplane (PHAENON X Pro only)</li> </ul>
Climate Components	<ul style="list-style-type: none"> <li>• Generously dimensioned heat sink as base for all temperature relevant components</li> <li>• Peltier elements for either heating and cooling</li> <li>• Temperature controlled low noise fans with high efficiency</li> <li>• Integrated dehumidifier and dew point measurement</li> </ul>
Thermal	<ul style="list-style-type: none"> <li>• Max. ambient temperature: 50°C</li> <li>• Min. ambient temperature: - 5°C</li> </ul>
Standardized Connectors	<ul style="list-style-type: none"> <li>• AC Mains Connector: Neutrik PowerCon</li> <li>• Projector Signal, analog: ILDA In D-sub 25, differential inputs</li> <li>• Remote: 7pin XLR (RS232, external key switch, interlock)</li> <li>• DMX In / Thru /Out: 5pin XLR</li> <li>• LAN</li> <li>• WLAN</li> </ul>
Electrical Input	<ul style="list-style-type: none"> <li>• 100-120VAC / 200-240VAC / 50-60Hz</li> <li>• Input power: 500 - 950W maximum</li> </ul>
Compliance	CE, CDRH
Warranty	12 months after delivery



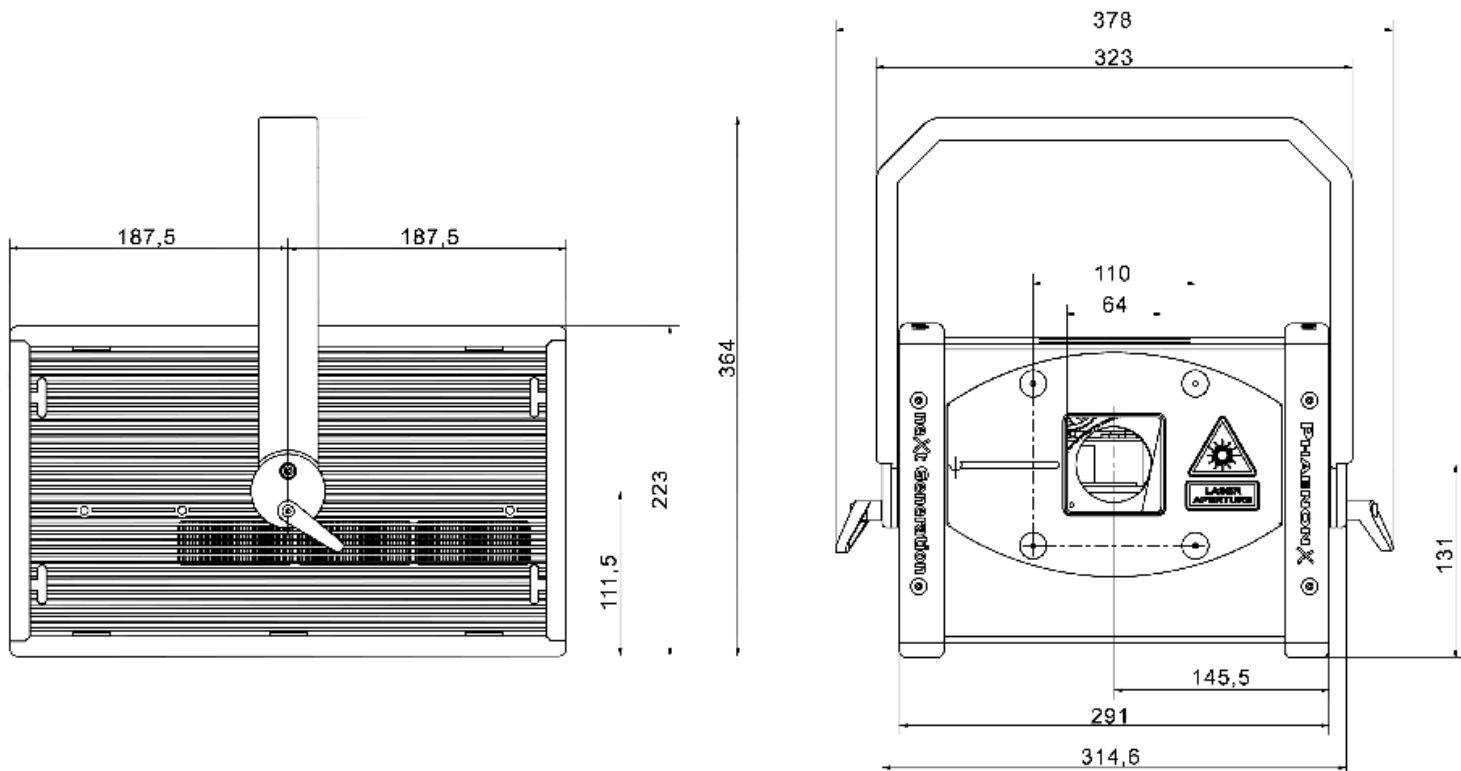
MADE  
IN  
GERMANY  
used worldwide



Technical specifications subject to change without prior notice!

Physical  
PHAENON X Mini

- Length: 375 mm
- Width: 291 mm
- Height: 223 mm (without yoke)
- Weight: Approx. 18 kg to 22 kg
- Housing: Dustproof, black anodized Aluminum with plastic edges
- Degree of protection: IP54
- Extra stable stainless steel yoke for truss mounting and loop for safety rope
- Integrated output window protector



- Package
- Standard: Aluminum case
  - Optional: bwh Plastic Box or PELI-Case



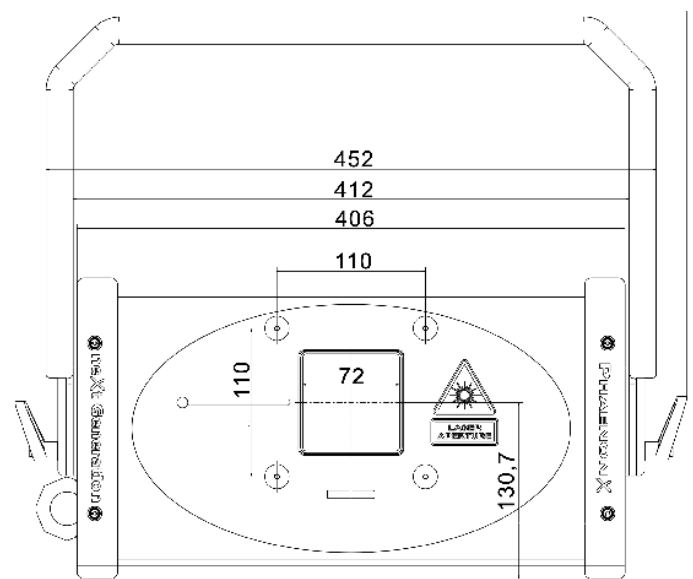
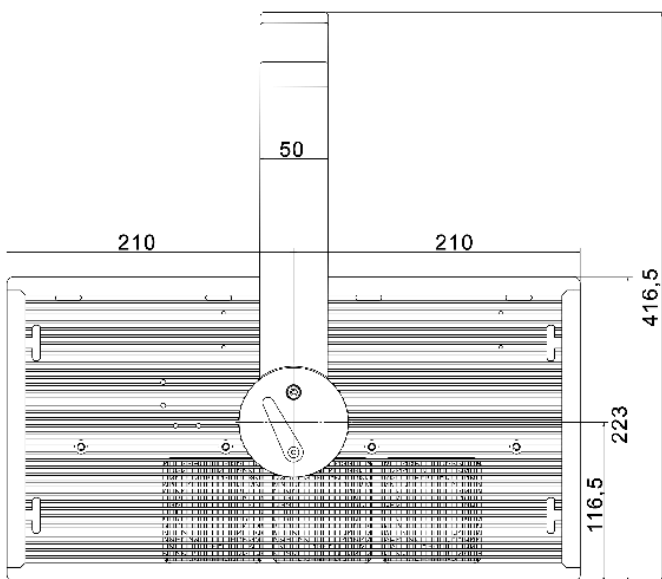
MADE  
IN  
GERMANY  
used worldwide



Technical specifications subject to change without prior notice!

Physical  
PHAENON X Pro  
compact

- Length: 420 mm
- Width: 406 mm
- Height: 223 mm (without yoke)
- Weight: Range of approx. 22 kg to 38 kg
- Housing: Dustproof, black anodized Aluminum with plastic edges
- Degree of protection: IP54
- Extra stable stainless steel yoke for truss mounting and loop for safety rope
- Integrated output window protector



- Package
- Standard: Aluminum case
  - Optional: PELI-Case 1640



MADE  
IN  
GERMANY  
used worldwide

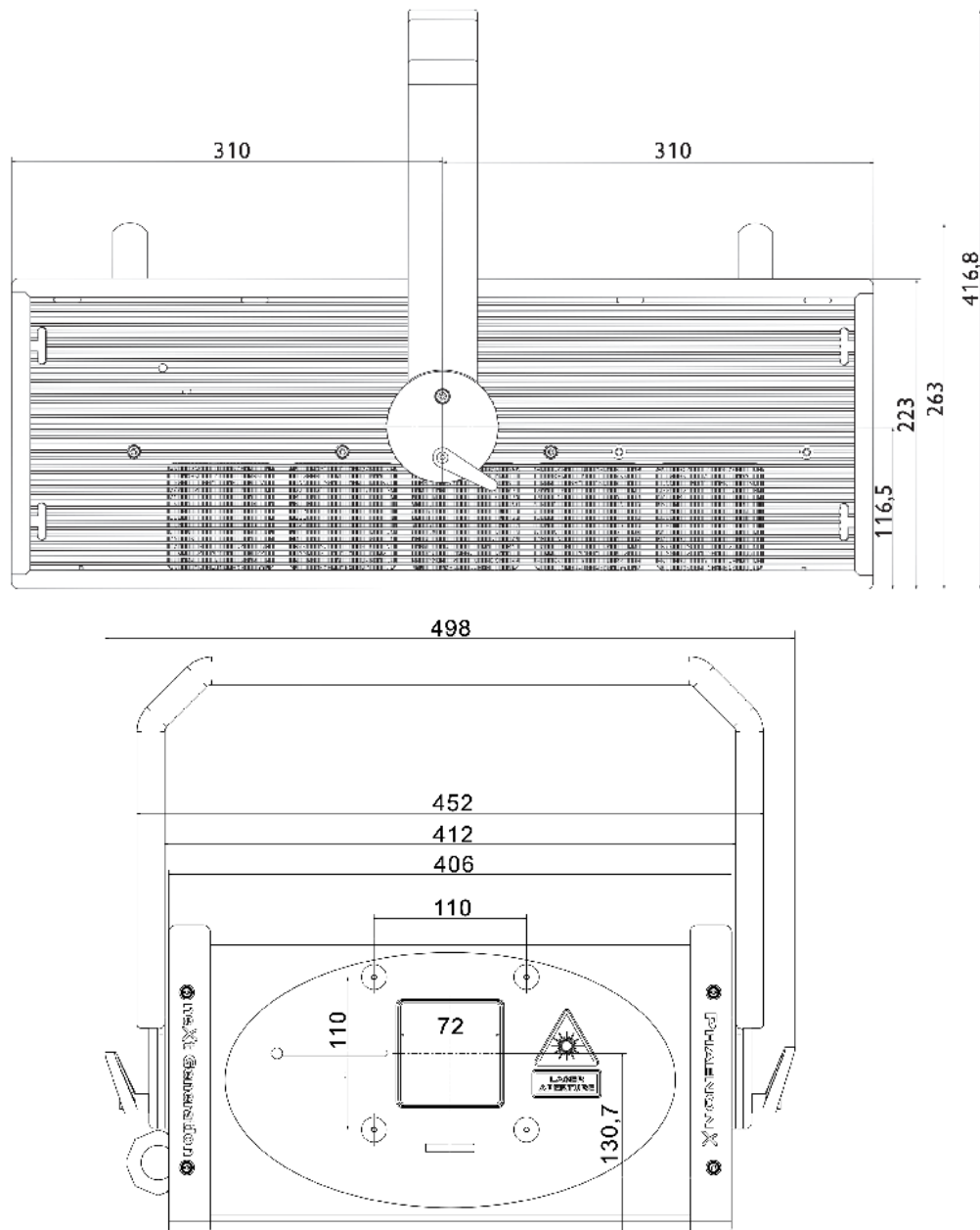


Technical specifications subject to change without prior notice!

Physical  
PHAENON X Pro  
regular

- Length: 620 mm
- Width: 406 mm
- Height: 223 mm (without yoke)
- Weight: Approx. 43 kg
- Housing: Dustproof, black anodized Aluminum with plastic edges
- Degree of protection: IP54
- Extra stable stainless steel yoke for truss mounting and loop for safety rope
- Integrated output window protector

Package PELI-Case 1630



**MADE  
IN  
GERMANY**  
used worldwide



Technical specifications subject to change without prior notice!