



The PHAENON RGB Basic is a full color laser projector feature handy-size with ultra-low weight and an excellent price performance ratio. It is especially suitable for indoor applications with little need for adjustment.

With a built-in grating module and / or Lasergraph DSP show controller the PHAENON Basic offer the versatile possibilities of a complete laser show system (projection of laser patterns, play back and programming of laser shows).

Laser Sources

Different laser systems are available for the PHAENON RGB Basics:

1. *Pure Diode* - complete RGB laser diode module manufactured by LaserAnimation
Typical wavelengths: 638 nm | 520 nm | 445 nm
2. *Combined* - based on unique red and blue laser diode modules manufactured by Laser-Animation combined with a green Genesis TAIPAN OPSL
Typical wavelengths: 638 nm | 532 nm | 445 nm

<i>Pure Diode (PD)</i>				
PHAENON RGB	Specified Laser Output [mW]			
	Total	Red	Green	Blue
Basic 2500	5600	1600	2000	2000
Basic 3500	7200	3200	2000	2000
Basic 5000	9200	3200	2000	4000

<i>Combined</i>				
PHAENON RGB	Specified Laser Output [mW]			
	Total	Diode Module	Taipan OPSL	Diode Module
		Red	Green	Blue
Basic 5500	12,200	3200	5000	4000



Technical specifications subject to change without prior notice!

- Laser Specs**
- CW analog modulated
 - Laser class 4
 - Beam Diameter 4 mm
 - Divergence < 1.1 mrad (full angle)
- Laser Safety**
- Scanfail safety circuit
 - Physical adjustable beam block
 - Key switch, interlock loop, emission LED
- Scanner Unit**
- X,Y scanner CTI 6210H (Cambridge Technology) with Turbo Scan driver
- Scan system speed: 40 k ILDA 8°
 - Aperture: 4 mm
 - Projection angle: 80° maximum, 50° typical
 - Reaction time (2° opt. step): < 0.2ms
- Standardized Connectors**
- AC Mains Connector: 3-pin IEC socket male
 - Projector Signal, analog: ILDA In D-sub 25, differential inputs
 - Remote: 7pin XLR (RS232, external key switch, interlock)
 - DMX In: 5pin XLR
 - LAN: RJ-45 jack (optional)
- Thermal**
- Max. ambient temperature: 50°C
 - Min. ambient temperature: - 5°C
- Climate Components**
- Generously dimensioned heat sink as base for all temperature relevant components
 - Peltier elements for either heating and cooling
 - Temperature controlled low noise fans with high efficiency
- Electrical Input**
- 100-120V AC / 200-240 VAC / 50-60 Hz
 - Input power: 200 - 500 W maximum
- Control**
- Using included "LA Toolbox" software for Windows as well as MAC OS X
- Options**
- Built-in Grating module for extraordinary background effects
 - Built-in Laser show controller Lasergraph DSP PCB
 - Wide angle lense (fisheye) for mounting to the laser output

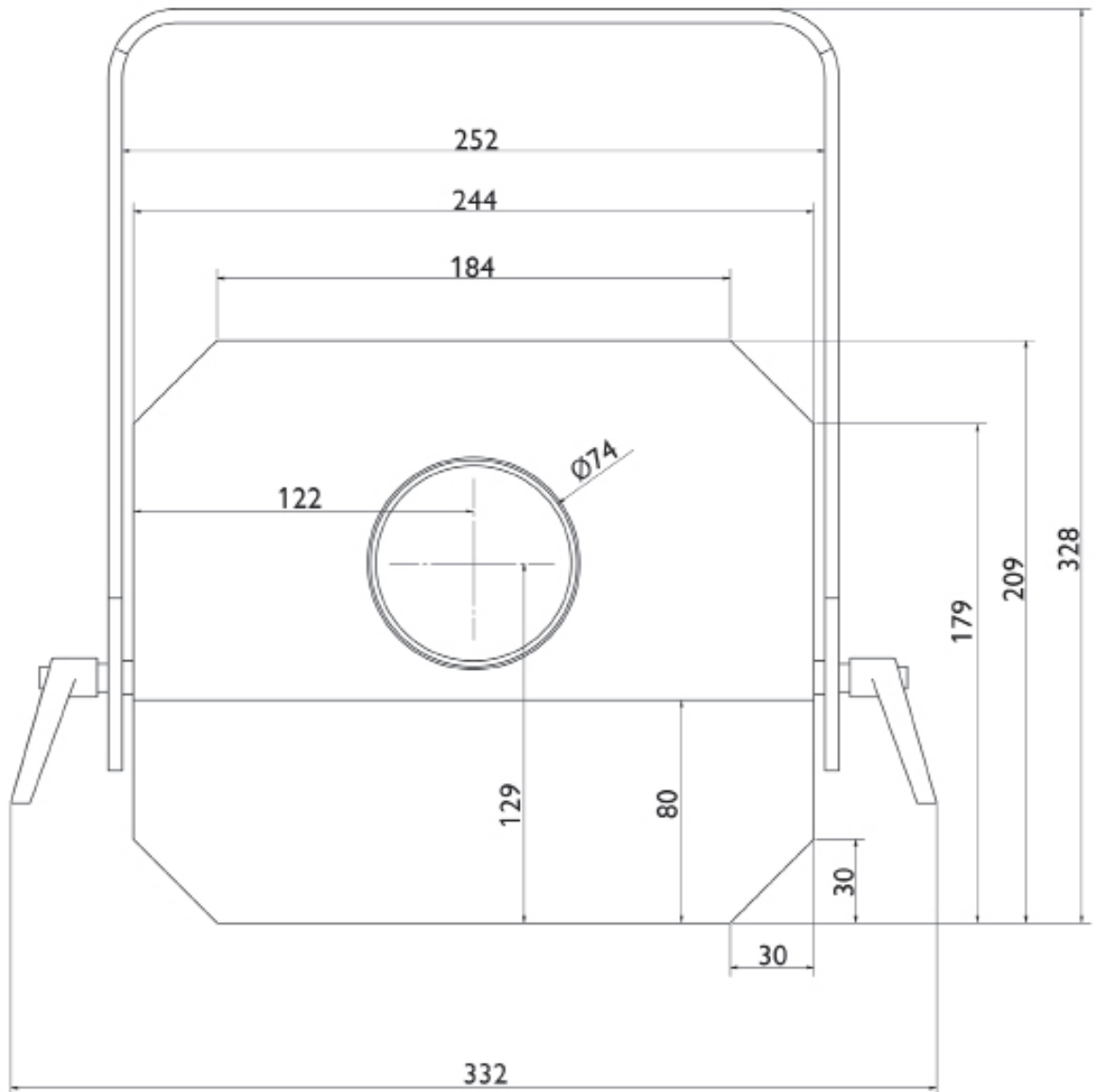


**MADE
IN
GERMANY**
used worldwide



Technical specifications subject to change without prior notice!

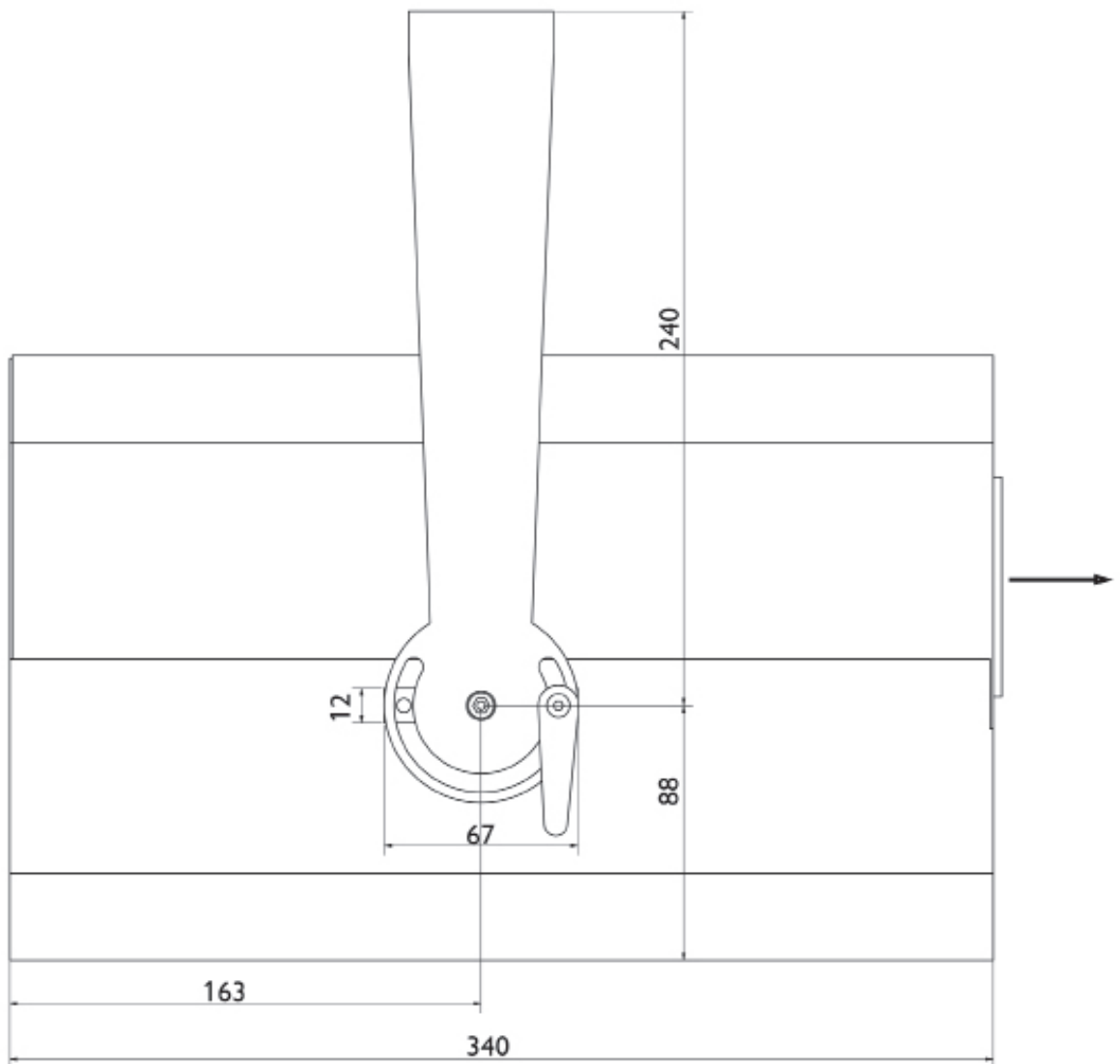
- Physical
- Length: 340 mm
 - Width: 245 mm
 - Height: 210 mm (without yoke)
 - Weight: Range of approx. 9 kg to 17 kg (depending on model)
 - Housing: Powder coated steel plate black, dustproof
 - Degree of protection: IP54



**MADE
IN
GERMANY**
used worldwide



Technical specifications subject to change without prior notice!



- Package
- Standard: Aluminum case
 - Optional: PELI case 1620
 - Optional: bwh box no. 94205

Compliance CE, CDRH

Warranty 12 months after delivery



MADE
IN
GERMANY
used worldwide



Technical specifications subject to change without prior notice!